

BELDEN



Quality
Precision
Reliability

Belden Steering & Shift Linkage U-Joints



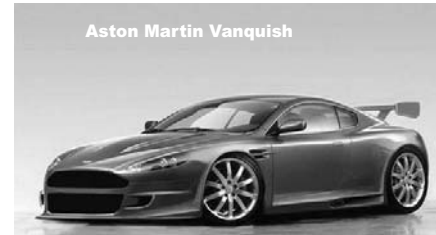
Belden Inc. serves the transportation industry with universal joints and drive shaft assemblies for a variety of steering and gear change linkage applications.

Belden's products can be found in everything from race cars to boats to industrial vehicles.

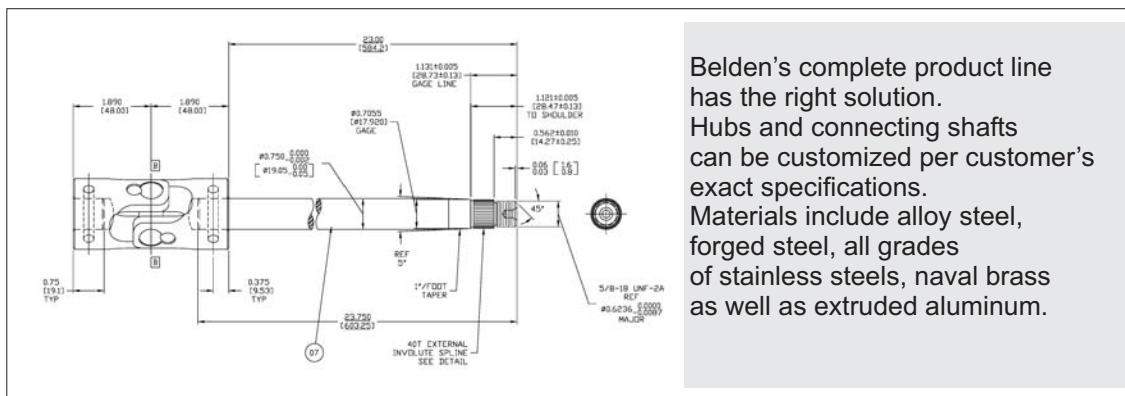


Precision machining has made the Belden racing universal joint a steering industry standard. Belden is committed to the steering industry to provide reliable, continually tested and certified universal joints.

Belden engineers have developed steering solutions for the racing industry based on the **cross and needle bearing design** of the universal joint with a variety of hub materials including alloy steel with corrosion resistant plating, stainless steel, forged steel and extruded aluminum.



Custom Assemblies with Custom Shafts are Our Specialty



Belden's complete product line has the right solution. Hubs and connecting shafts can be customized per customer's exact specifications. Materials include alloy steel, forged steel, all grades of stainless steels, naval brass as well as extruded aluminum.

Universal Joints for Steering Assemblies

Belden custom manufactures steering assemblies for light duty and recreational vehicles per customer vehicle specifications. All components for this industry are unique to the type of vehicle and the manufacturer's strict guidelines. Customers in this classification include electric cars, golf carts, passenger vehicles, ATVs (All Terrain Vehicles), industrial maintenance vehicles and utility truck manufacturers.

Belden's experience in the transportation industry has led to the success of its line of custom manufactured gear change linkage universal joints. Specialty automobile manufacturers rely on suppliers to provide parts manufactured to critical standards. Belden provides steering components that are custom engineered for specialty OEM specifications in aluminum for high strength to weight ratios, forgings, various grades of stainless steel and plated alloys. Belden has engineered high strength, lighter weight steering components specifically for the automotive market using state-of-the-art Multiple Axis CNC machinery and engineering systems technology.

Our Needle Bearing Universal Joints for Steering assemblies operate at high RPM and provide high precision with sealed and lubricated bearings.



Impact extruded aluminum joint
• High strength at low weight



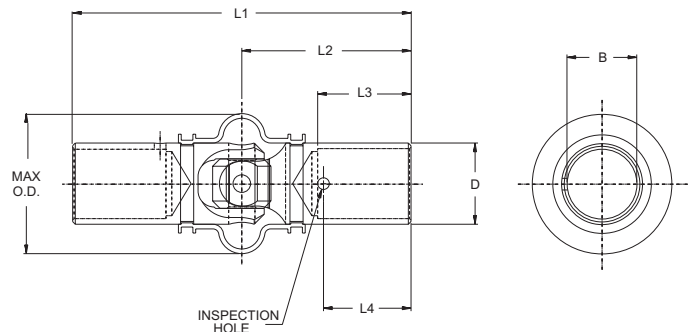
Machined needle bearing joint
• Strong, reliable designs



Forged needle bearing joint
• Handles even toughest applications

Universal Joints for Gear Change Linkage

Belden's complete Universal Joint Line includes a full range of military specialized and certified universal joints (MS20271 and MS20270 series) used in auto racing/gear change linkage, defense vehicles as well as aerospace applications.



Belden military standard universal joints are precisely designed and manufactured for a variety of applications. These include specifications where low deflection rates, and long service life are essential.
• Military specification MIL-J-6193

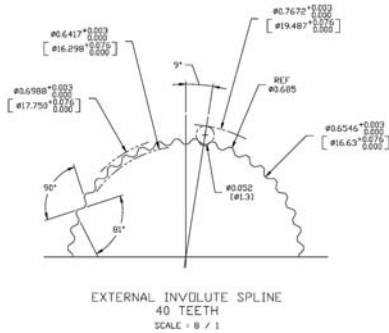


Quality, Precision+Reliability

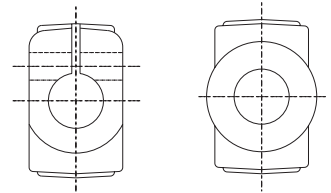
Belden Steering & Shift Linkage U-Joints

BELDEN

Custom Assemblies, Hubs and Splines



Universal joints can be fitted with a variety of hub configurations. In addition to standard features as bores, keyways, hex and squares, Belden can provide split hubs and splines in accordance with known standards or exactly to your specifications.

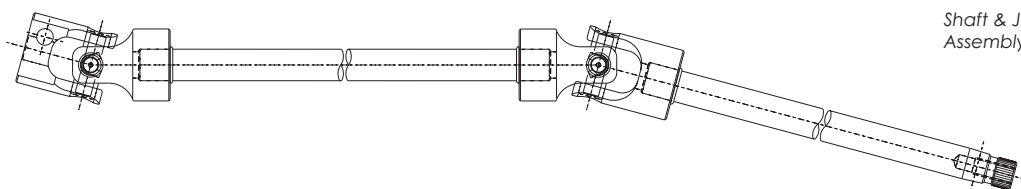


Belden provides entire steering and gear change linkage assemblies, complete with shafts for easy installation. Belden's team of design engineers can help you develop a complete solution for your steering application.

All joints can be delivered with customized hub configurations and corrosion resistant and / or cosmetic platings.

For questions and customization requests, please contact Belden Inc.

Custom Assemblies with Custom Shafts are Our Specialty



Contacting Belden



Belden Inc.
2500 Braga Drive
Broadview, Illinois 60155
USA
Tel: +1 708 344-4600
Fax: +1 708 344-0245



Belden Inc.
Niederlassung Deutschland
Harnackstrasse 6
39104 Magdeburg
Germany
Tel: +49 (0) 3912 52 58 11
Fax: +49 (0) 3912 51 46 73

www.BeldenUniversal.com